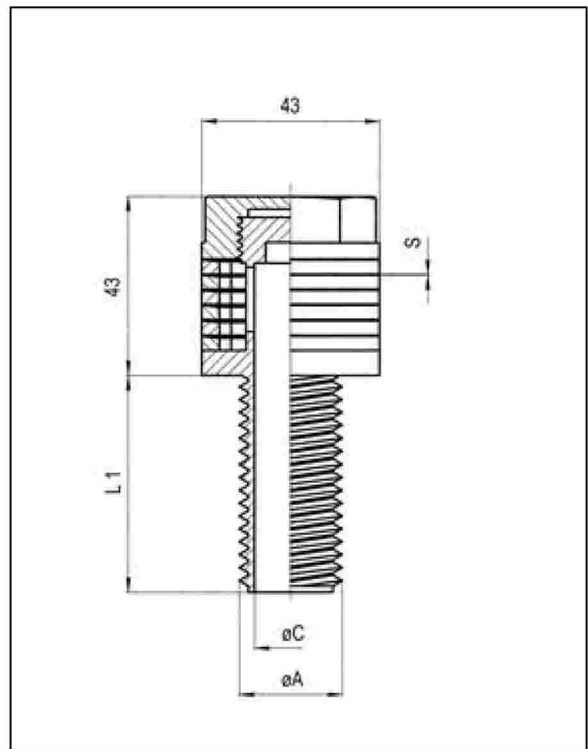
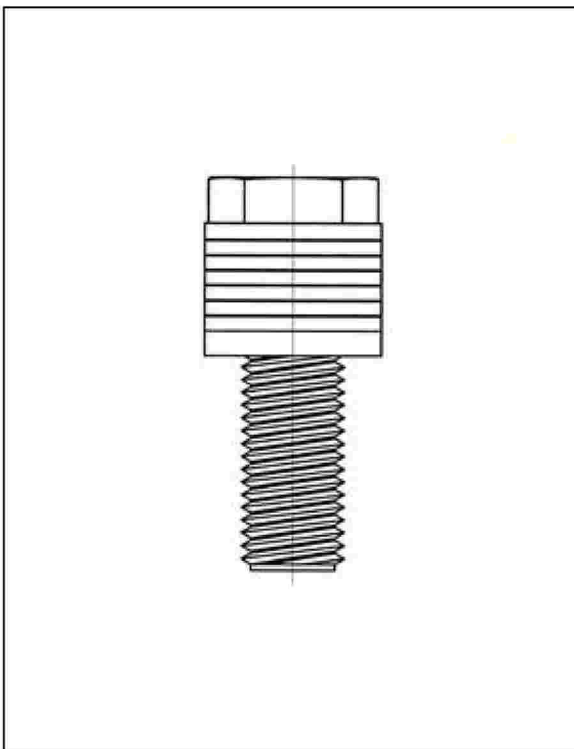


# TYP V

## Distribution nozzle Type V



# Typ V

**Schlitze      Slots      Fentes      Ranuras      Aberturas**

| Anzahl | Breite          |  |
|--------|-----------------|--|
| 1      | 0,1 – 0,2 – 0,3 | = 0,11 cm <sup>2</sup> - 0,22 cm <sup>2</sup> - 0,33 cm <sup>2</sup> |
| 2      | 0,1 – 0,2 – 0,3 | = 0,22 cm <sup>2</sup> - 0,44 cm <sup>2</sup> - 0,67 cm <sup>2</sup> |
| 3      | 0,1 – 0,2 – 0,3 | = 0,33 cm <sup>2</sup> - 0,67 cm <sup>2</sup> - 1,00 cm <sup>2</sup> |
| 4      | 0,1 – 0,2 – 0,3 | = 0,44 cm <sup>2</sup> - 0,89 cm <sup>2</sup> - 1,33 cm <sup>2</sup> |
| 5      | 0,1 – 0,2 – 0,3 | = 0,56 cm <sup>2</sup> - 1,11 cm <sup>2</sup> - 1,67 cm <sup>2</sup> |
| 6      | 0,1 – 0,2 – 0,3 | = 0,67 cm <sup>2</sup> - 1,33 cm <sup>2</sup> - 2,00 cm <sup>2</sup> |

**Gewinde      Thread      Filetage      Rosca**

| TYP    |            | A (mm) | L1 (mm) |    |    |    |    |    |    |    |    |    |    |    |
|--------|------------|--------|---------|----|----|----|----|----|----|----|----|----|----|----|
|        |            |        | METRIC  | 14 | 15 | 18 | 20 | 25 | 30 | 40 | 50 | 60 | 65 | 70 |
| S 16   | M 16       | 16     |         |    |    |    |    |    | ✓  |    |    |    |    |    |
| S 11 f | M 20 x 1,5 | 20     |         |    |    | ✓  | ✓  | ✓  | ✓  | ✓  | ✓  |    |    |    |
| S 11 g | M 20 x 2,5 | 20     |         |    |    | ✓  |    | ✓  | ✓  | ✓  | ✓  | ✓  |    |    |
| S 22 f | M 22 x 1,5 | 22     |         |    |    |    |    |    |    | ✓  |    |    |    |    |
| S 22 g | M 22 x 2,0 | 22     |         |    |    |    |    | ✓  | ✓  |    |    |    |    |    |
| S 1    | M 24       | 24     |         | ✓  |    | ✓  |    | ✓  | ✓  | ✓  | ✓  |    |    |    |
| S 2 f  | M 27 x 2,0 | 27     |         |    |    |    |    |    |    |    |    | ✓  |    |    |
| S 2 g  | M 27 x 2,5 | 27     |         |    |    |    |    | ✓  | ✓  | ✓  | ✓  |    |    |    |
| S 3    | M 30       | 30     |         |    |    |    |    | ✓  |    |    | ✓  |    |    |    |
|        | WITHWORTH  |        |         |    |    |    |    |    |    |    |    |    |    |    |
| S 6    | 3/8"       | 9,5    |         |    |    |    |    | ✓  |    |    |    |    |    |    |
| S 15   | 3/4"       | 19,1   |         |    |    |    |    | ✓  |    |    |    |    |    |    |
| S 7    | 7/8"       | 22,2   |         |    |    | ✓  |    | ✓  | ✓  |    |    |    |    |    |
| S 10   | 1"         | 25,4   |         |    |    | ✓  | ✓  | ✓  | ✓  | ✓  | ✓  |    |    |    |
| S 19   | 1 1/8"     | 28,6   |         | ✓  |    |    |    |    |    |    |    |    |    |    |
| S 4    | 1 1/4"     | 31,8   |         |    |    | ✓  | ✓  | ✓  | ✓  | ✓  | ✓  |    |    | ✓  |
| S 9    | 1 3/8"     | 34,9   |         | ✓  |    |    |    | ✓  |    |    |    |    |    |    |
|        | BSP GAZ    |        |         |    |    |    |    |    |    |    |    |    |    |    |
| S 13   | R 3/8"     | 16,7   | ✓       |    |    | ✓  |    |    |    |    |    |    |    |    |
| S 12   | R 1/2"     | 21,0   |         |    |    | ✓  |    | ✓  | ✓  | ✓  |    |    |    |    |
| S 5    | R 3/4"     | 26,4   |         |    |    | ✓  |    | ✓  | ✓  | ✓  | ✓  |    |    |    |
| S 17   | R 7/8"     | 30,2   |         |    |    |    |    |    | ✓  |    |    |    |    |    |
| S 8    | R 1"       | 33,2   | ✓       |    | ✓  | ✓  | ✓  | ✓  | ✓  | ✓  | ✓  |    | ✓  | ✓  |

**Polsterrohr      Tube      Tuyau      Tubo**

|    |             |
|----|-------------|
| L2 | nach Wunsch |
|----|-------------|

Material / material / matériau / materiale / material:

- PPN**

**PPH**

**PVDF**