

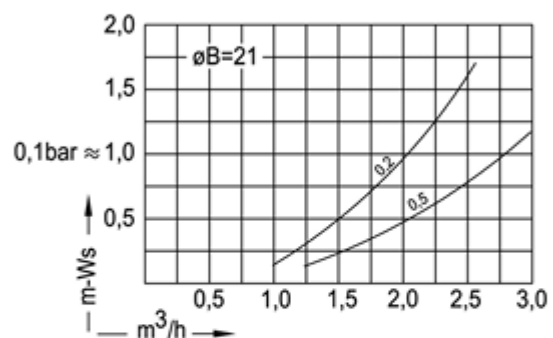
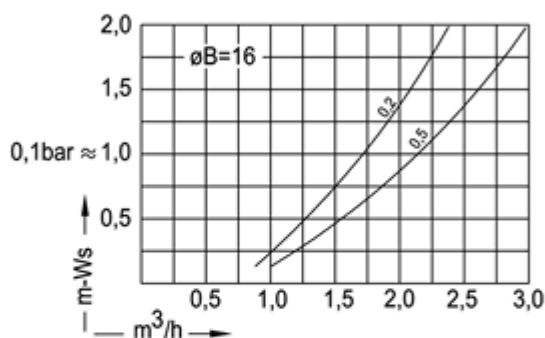
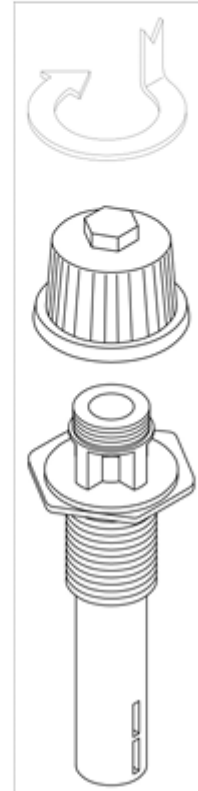
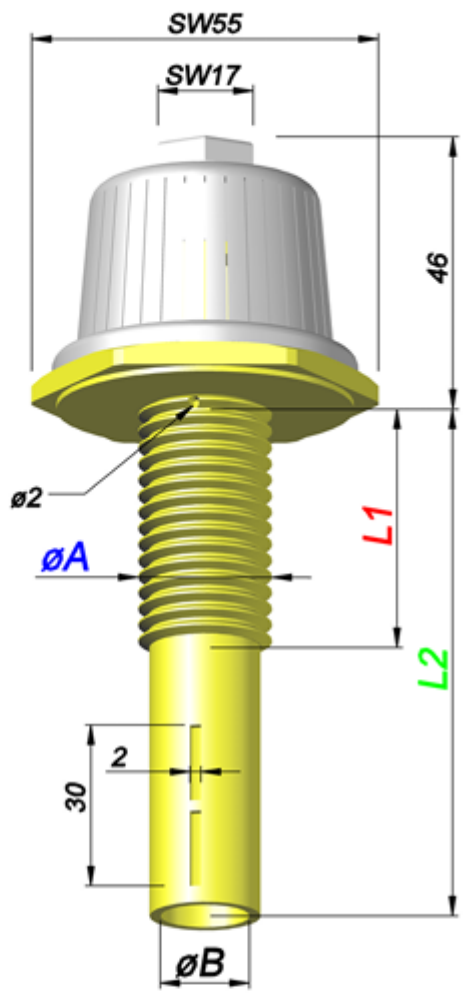
Filterdüsen

Filter-Nozzles

Crépines à filtre

Toberas filtrantes

Typ S1



| Bestellung Ordering Commande Encargo | Typ Type Type Tipa | Schlitze Slots Fentes Ranuras | Gewinde Thread Filetage Rosca | ϕA | Gewindelänge Thread length Longueur de filetage Largura de la rosca | Schaft Shaft Longueur de tige Tija | ϕB |
|---|-----------------------------|--|--|----------------------|--|---|----------|
| | | | | | $L1$ | $L2$ | |
| | S1 | G 1" | 33,25 | 20 | 80, 110, 140, 200, 250, 300, 350, ... | 21 = 3,4 cm² | |
| | | 1 1/4" WW | 32 | 25, 30, 45 | | | |
| | | M30 | 30 | 30 | 80, 110, 140, 200, 250, 300, 350, ... | 16 = 2,0 cm² | |
| | | G 3/4" | 26,5 | 20, 45, 50, +5 +5... | | | |
| | | 1" WW | 25,4 | 45 | | | |
| | | M24 | 24 | 20, 45, 50, +5 +5... | | | |
| | | | | | | | |
| | | | | | | | |