

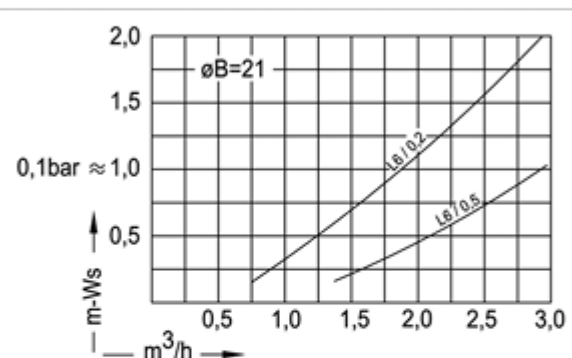
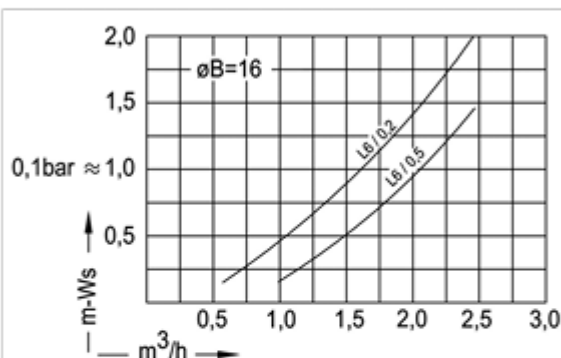
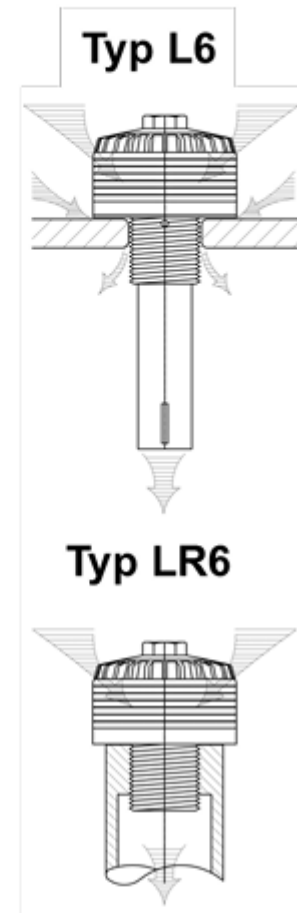
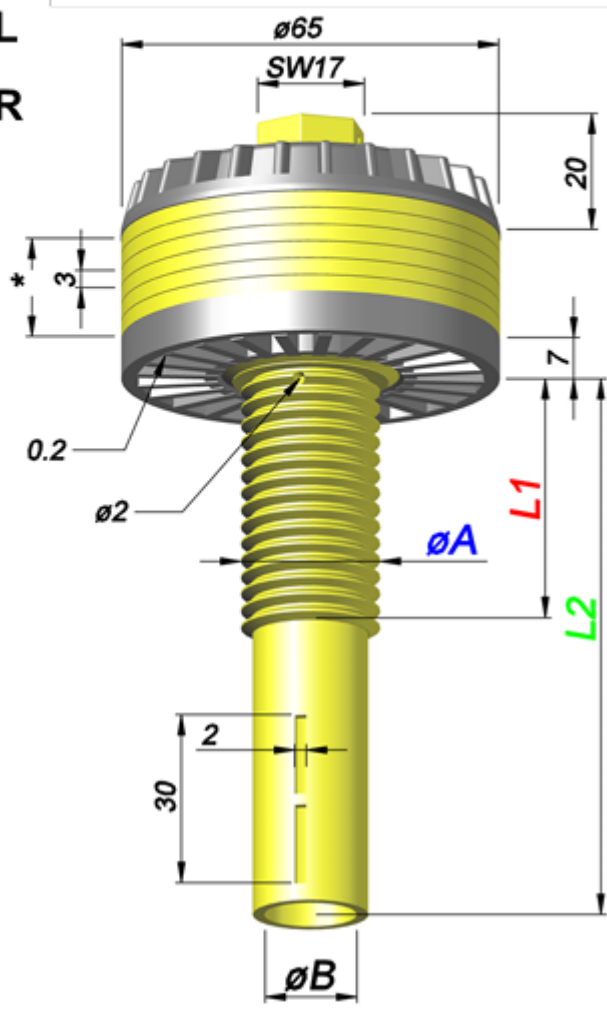
Filterdüsen


Filter-Nozzles

Crépines à filtre

Toberas filtrantes

Typ L
/ LR



| Bestellung Ordering Commande Encargo | Typ Type Type Tipa | * | Schlitz Slots Fentes Ranuras | pro Ring per Ring | Gewinde Thread Filetage Rosca | 0A | Gewindelänge Thread length Longueur de filetage Largura de la rosca | L1 | Schaft Shaft Longueur de tige Tija | L2 | 0B |
|---|-----------------------------|-------------------------------|--|----------------------|--|---------------------|--|--------------|---|----|----|
|  | L LR | 2 5 6 10 12 15 | 0,1 = 0,2 cm² 0,15 = 0,3 cm² 0,2 = 0,4 cm² 0,3 = 0,6 cm² 0,5 = 1,0 cm² | 1 1/4" WW | 32 | 20, 30, 45, +5+5... | 80, 110, 140, ... | 21 = 3,4 cm² | | | |
| | | | | M30 | 30 | 30 | 80, 110, 140, ... | 16 = 2,0 cm² | | | |
| | | | | G 3/4" | 26,5 | 20, 30, 45, +5+5... | 80, 110, 140, ... | 16 = 2,0 cm² | | | |
| | | | | 1" WW | 25,4 | 20, 45, +5+5... | 80, 110, 140, ... | 16 = 2,0 cm² | | | |
| | | | | M24 | 24 | 25, 45, +5+5... | 80, 110, 140, ... | 16 = 2,0 cm² | | | |
| | | | | M22x1,5 | 22 | 45, +5+5... | 80, 110, 140, ... | 16 = 2,0 cm² | | | |
| | | | | M20 | 20 | 45, +5+5... | 80, 110, 140, ... | 13 = 1,3 cm² | | | |